
Product specification

Product description: RF2.4G Knob Remote Controller

Model : S1

1. Product photo



2. Features:

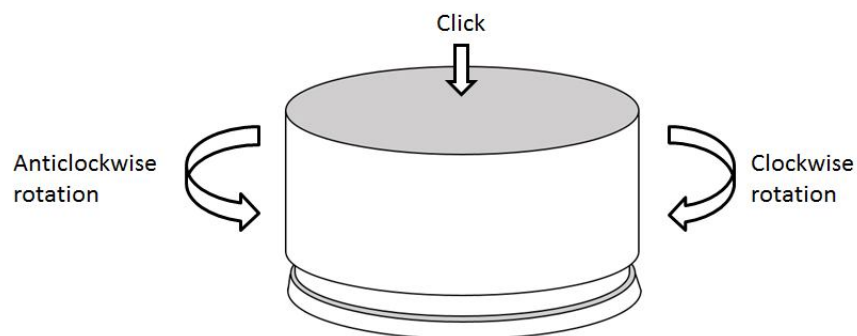
- 1) Working voltage: 3V (AAA*2);
- 2) DIM/CCT/RGB/RGBW 4 in 1;
- 3) Come with holder, easier access and keeping;
- 4) Easy to access and store with magnetic suction;
- 5) Circular knob design, unique interface and easy operation;
- 6) Functions: ON/OFF, dim function, colors, dynamic modes;
- 7) Adopts RF 2.4GHz wireless control, remote control distance up to 30m and no directional;
- 8) S1 compatible with 30W series and 36W parallel products,
- 9) 3 years warranty.

3. Technical Parameters

Working temperature	-20-60°C	Working voltage	3V(AAA*2PCS)
---------------------	----------	-----------------	--------------

Sleep current	<25uA	Emission current	<17mA
Sleep power consumption	<75uW	Emission power consumption	<51mW
Net weight	80g	Dimension	Φ60*35mm
RF distance	≤30m	RF frequency	2.4GHz
Accessories	holder 1pc, 3M foam sponge glue 1pc.		

4. Control Function



Function:

DIM (work with single color receiver)

ON/OFF: Short-click

Adjusting brightness: Rotating/ Pressing+Rotating (Turning from modes to adjust brightness:)

Modes: Double-short-click

CCT(work with CW+WW receiver)

ON/OFF: Short-click

Adjusting brightness: Rotating/ Pressing+Rotating (Turning from modes to adjust brightness:)

Adjusting CCT: Pressing+Rotating

Modes: Double-short-click

RGB(work with RGB receiver)

ON/OFF: Short-click

Adjusting brightness/speed: Rotating

Adjusting color: Pressing+Rotating

Modes: Double-short-click

RGBW(work with RGBW receiver)

ON/OFF: Short-click

RGB/W switching: 2s-long-pressing

Adjusting brightness/speed: Rotating

Adjusting color: Pressing+Rotating

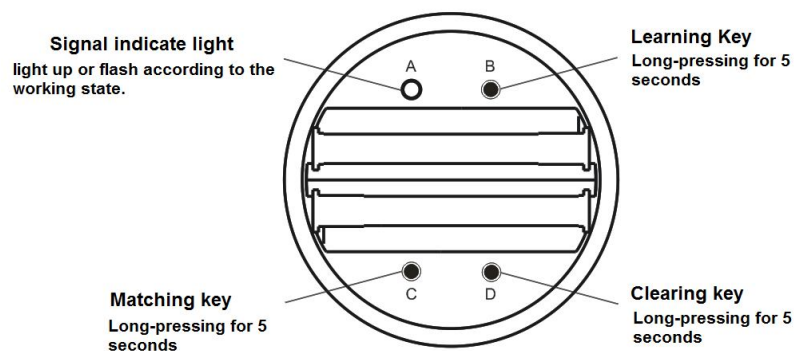
Modes: Double-short-click

Hotkey: 3 times-short-click to overall ON/OFF

Tips. More details of the functions are showed in the receivers instruction.

5. Wireless remote control code value setting method

The number of controllers and remote controls in one system is unlimited. 2.4G Smart system has one unique RF code for communication. Each controller and each remote control can remember only one RF code, recorded in the first programing. New RF code can be recorded after delete the old one.



Code matching operation: the receiver will only be controlled by the value code remote control.

Step	Operation	Instructions
1	Connecting the load to the receiver and power on it.	1. It is necessary to clear the code first, if the receiver was coded before. 2. Batch operation can be performed within the remote control range. 3. Please remember to cut off other un-code zones power, or will be paired together.
2	Press and hold "C" on the remote control for 5 seconds	The indicator of the remote control will flash quickly, see the load light flashes 3 times and return to the initial state, means matching coding is finished successfully
3	Press any key to exit and end the operation	Also will automatically exit code transmission status after 60 seconds

Code clearing operation: that the original code value of the receiver will be cleared and returned to the factory state. Then it can be controlled by any compatible remote control, also can be paired to a new code.

Step	Operation	Instructions
1	Connecting the load to the receiver and power on it.	1. The clearing operation should be finished within 1 minute after the receiver is powered on. 2. Batch operation can be performed within the remote control range.
2	Press and hold "D" on the remote control for 5 seconds	1. The indicator of the remote control will flash quickly, see the load light flashes 3 times and return to the initial state, means pairing coding is finished successfully. 2. If the original remote control is lost, the new remote control can be used for clearing operations.
3	Press any key to exit and end the operation	Also will automatically exit code transmission status after 60 seconds.

Code learning operation between remote controls: Used to unify system code values or copy a new remote control.

Since each remote control has its own unique RF code at the time of delivery, when there are multiple remote controls in one system, one of them must be selected as a main, and other remote controls should copy its RF code.

- 1) **Main** remote control: Press and hold “**C**” key for 5 seconds. The indicator of the remote control will flash quickly, means it enters the pairing code transmission status.
- 2) **New** remote control: Press and hold “**B**” key for 5 seconds, indicator will turn from 100% to off means it enters learning code status.
- 3) Indicator of the new remote control flash three times after successful code learning.

Remote control RF code learning from controllers

- 1) Turn off the power supply of the controllers.
- 2) Press and hold “**B**” key for 5 seconds until indicator of remote control turns off.
- 3) Turn on the power supply of the controllers. Indicator of the remote control flashes three times after successful code learning.

Note: The distance from controllers to remote controls should be less than 2 meters.

Restoring factory settings of remote control

- 1) Press and hold “**B**” key for 20 seconds until indicator of remote control process the state as 100% -off-100%.
- 2) Press “**D**” button to submit and finish the operation. Indicator of the remote control will flash three times after successful operation.

6. Remote control accessories installation instructions

Accessories include holder 1pc, 3M foam sponge glue 1pc,AAA batteries 2pcs.

Installation instruction:

- 1) Using 3M foam sponge glue make free drilling installation of the holder onto the suitable wall or furniture surface.
- 2) Placing Knob on the holder to operate the controlling, or take the knob and use it on any tabletop as convenience.

7. Compatible family

Receiver Sr.	Receiver type	Application	Function	Marks
HD	Constant current	Single color	ON/OFF Dim	
HC	Constant current	CCT	ON/OFF Dim+CCT	
DLC	Constant current	Single color/CCT	ON/OFF Dim+CCT	
HD-LV/HC-LV	Constant voltage	Single color/CCT	ON/OFF Dim+CCT	
T2/T3	Constant voltage	Single color	ON/OFF Dim	
MINI005	Constant voltage	Single color/CCT/RGB/RGBW	ON/OFF Dim Static colors(CCT/RGB/RGBW) Dynamic modes	
DLS001	2.4G to 0-10V module	Single color	ON/OFF Dim	Loaded by 0-10V dimmable drive
DLK001	RF switch module	Single color	ON/OFF	Loaded by undimmable drive
WP86-AP	RF wireless signal repeater	Full series of 2.4G products from Hoion.	Expand the remote control and wireless-sync distance.	Compatible with all receivers 2.4G products from Hoion.

8. Packing



Product information for placing order

Product name	Item number
RF 2.4G knob remote control	S1